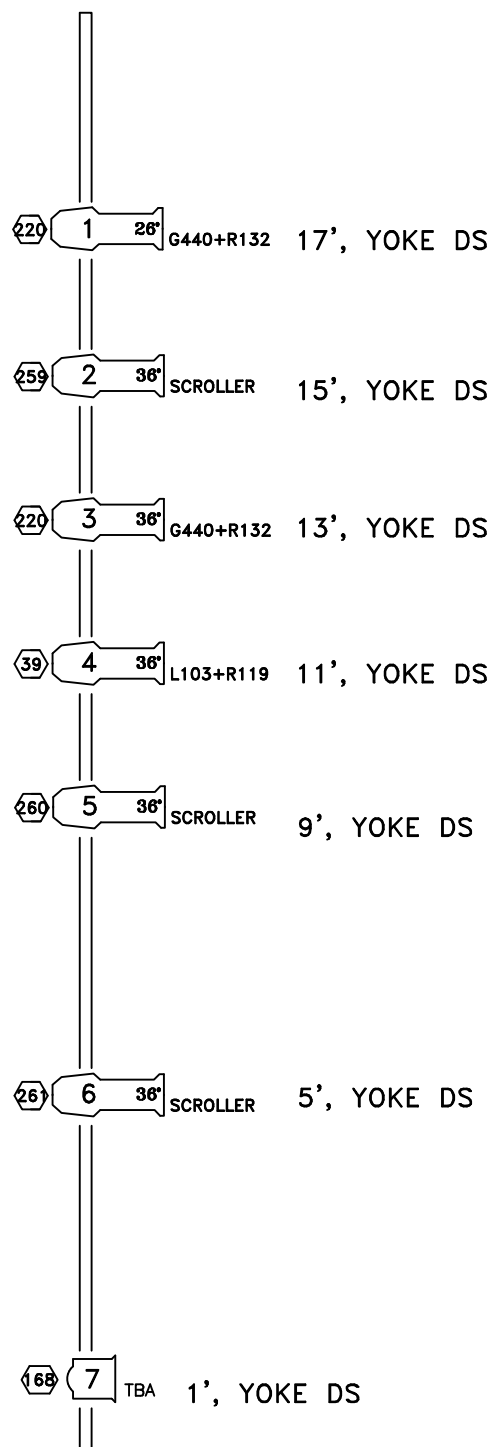
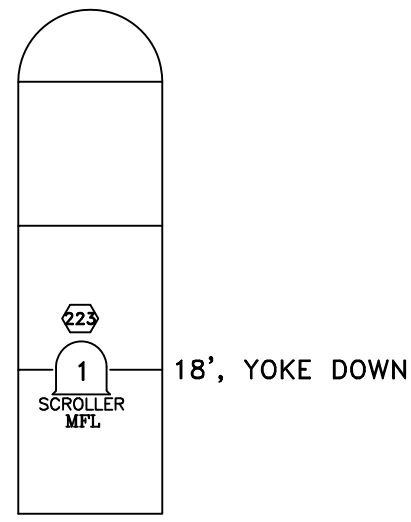


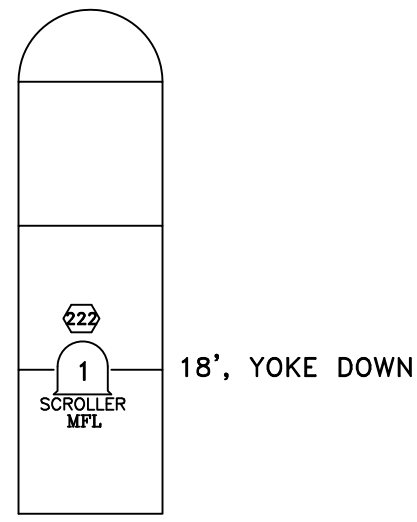
4 BOOM LEFT



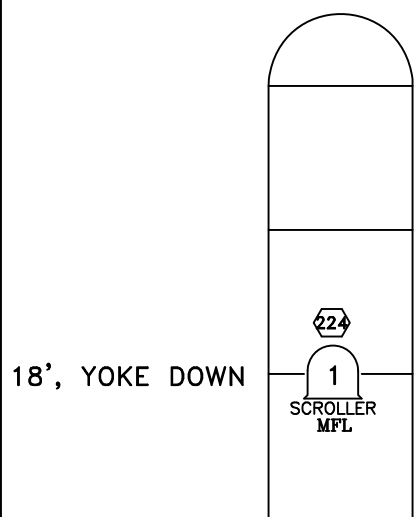
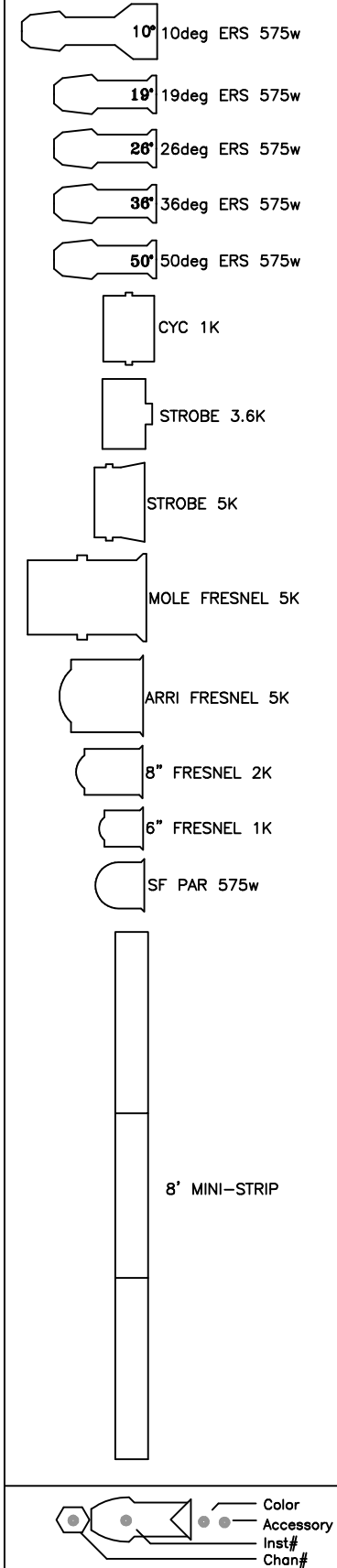
3 BOOM LEFT



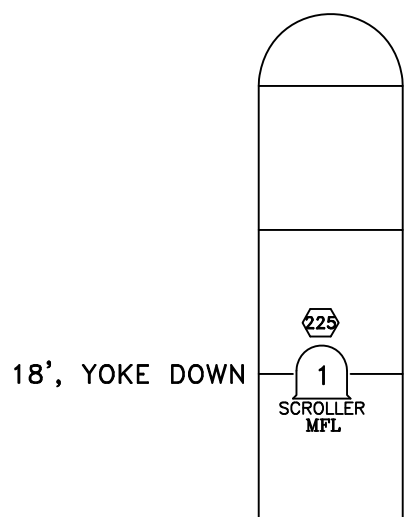
2 BOOM LEFT



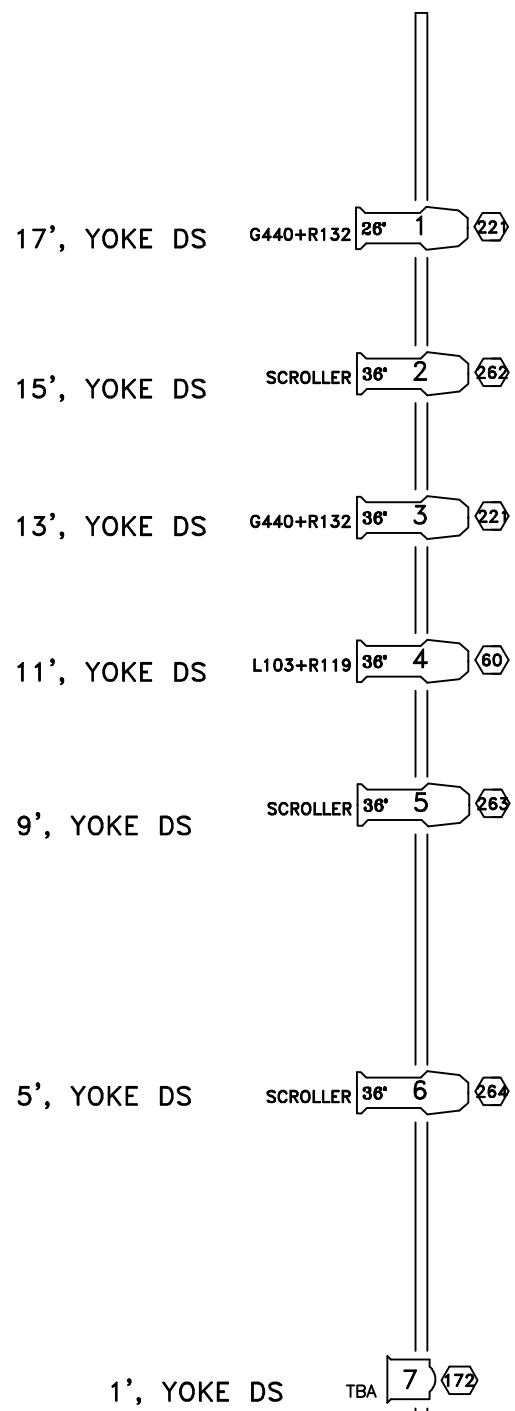
1 BOOM LEFT



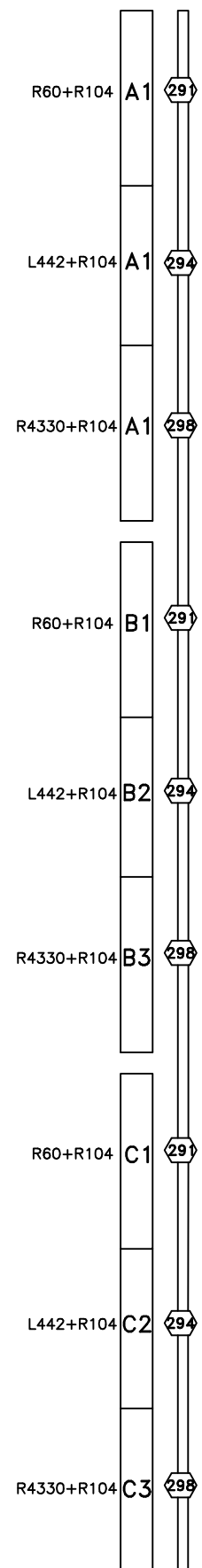
1 BOOM RIGHT



2 BOOM RIGHT



3 BOOM RIGHT



4 BOOM RIGHT

EXACT PLACEMENT OF ALL BOOMS AND LADDERS IS TBD BY THE LIGHTING SUPERVISOR. CHECK BEFORE HANGING

*This drawing represents visual concepts and construction suggestions only.*

The Draftsperson is unqualified to determine the structural or electrical appropriateness of this design and will not assume responsibility for improper engineering, construction, handling, or use. All materials and construction must comply with the most stringent and applicable federal and local fire, safety, energy, and environmental codes.

Copyright 2008 Ryan John Davies

Chicago Shakespeare Theatre Presents: Othello

Drawing Title  
Light Plot  
On-Stage Positions

Designer <b>Chris Akerlind</b>	Director <b>Marti Maraden</b>
Drawn By <b>Ryan John Davies</b>	Scale <b>3/8" = 1'</b>
Venue <b>Chicago Shakespeare Theatre</b>	Drawing No. <b>2</b>
Plot Due Date <b>1/27/2008</b>	<b>_____ of _____</b> <b>2</b>